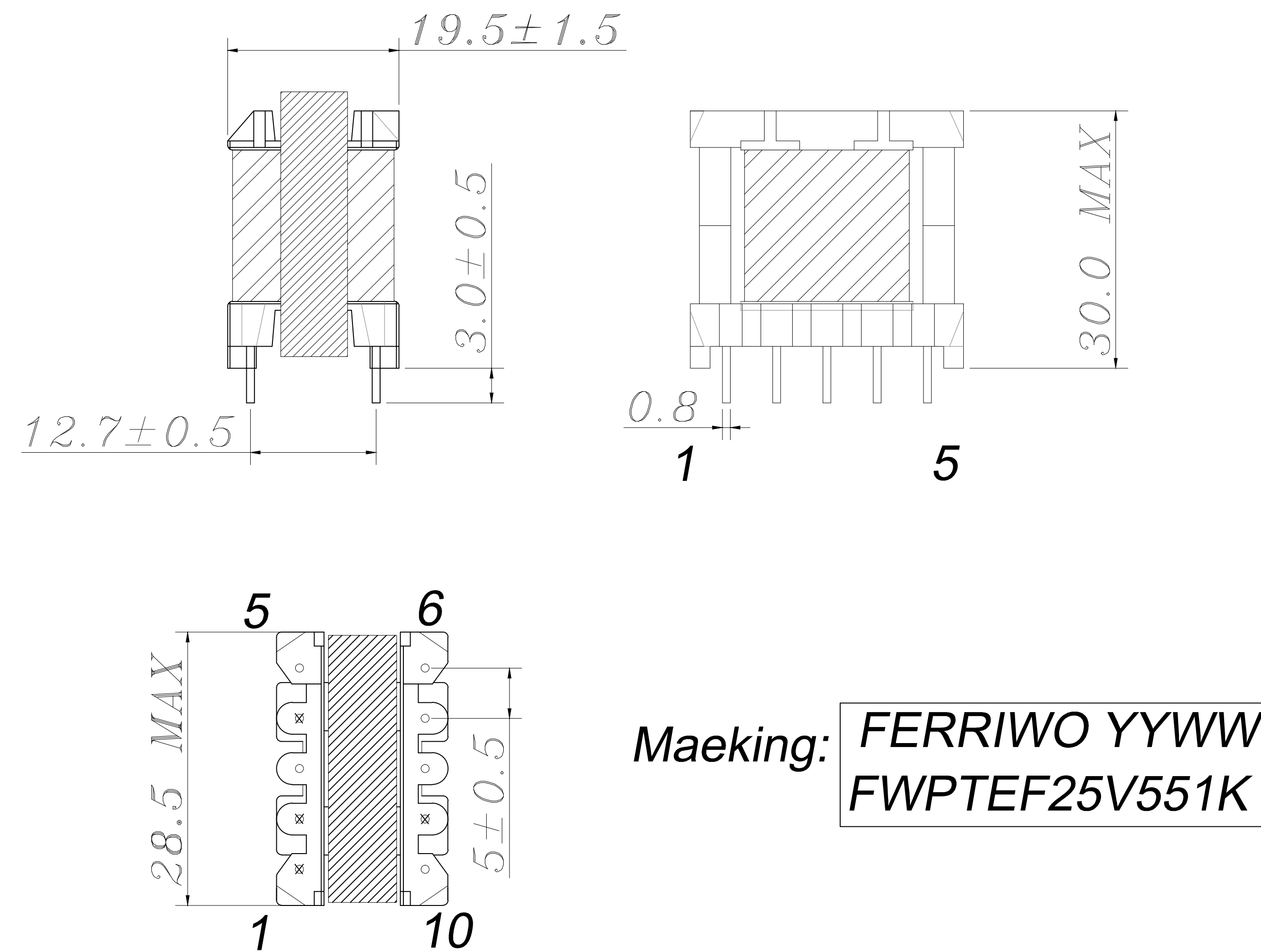
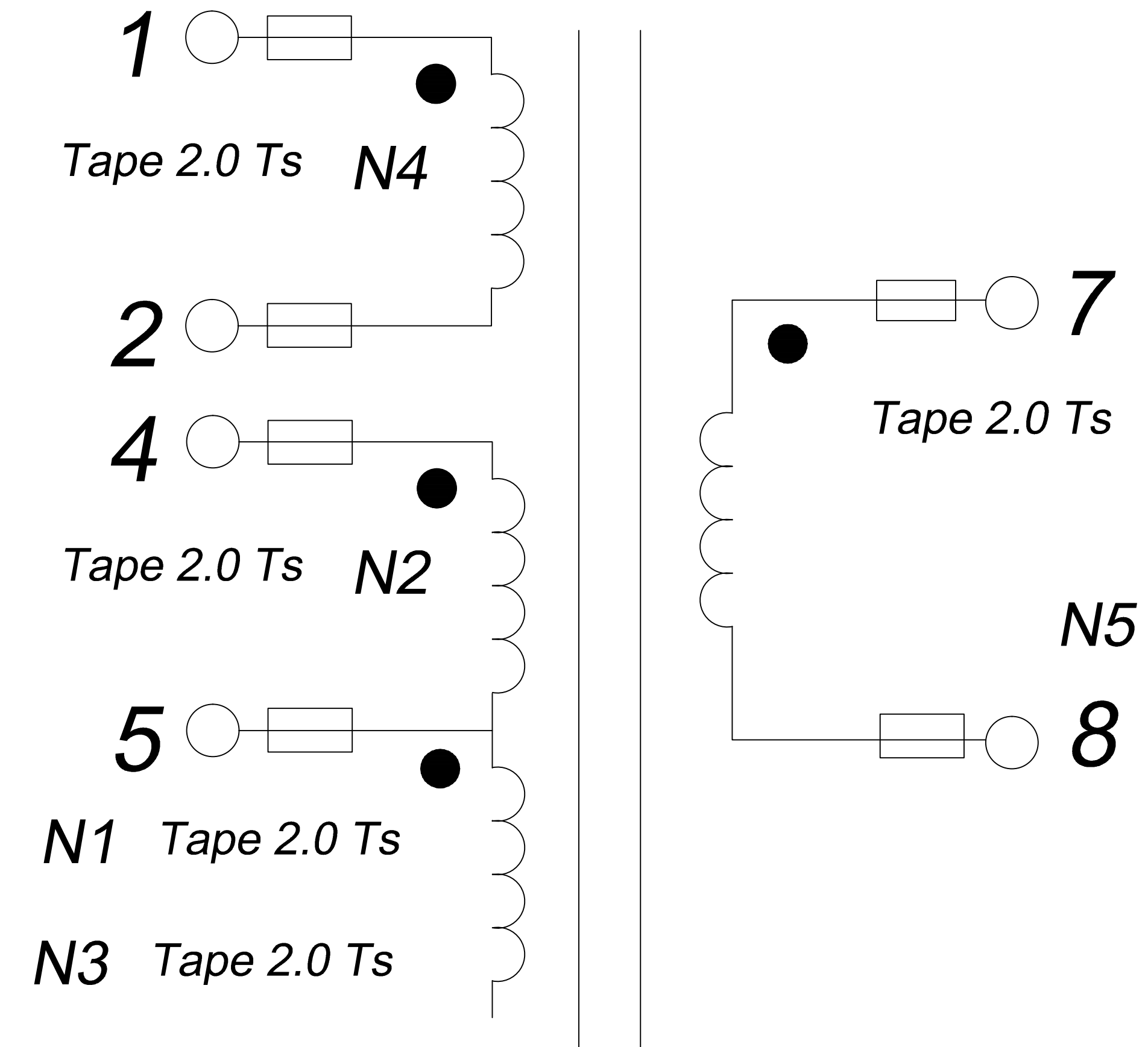


CUSTOMER TERMINAL	ROHS	Lead (Pb) -free
	YES	YES

1. Mechanical Dimensions



2. Schematic Diagram



3. Material List

Core: FW40-EE25/13/7
 BOBBIN: FWB2501
 Wire: 2UEW 0.20/0.40/0.50mm 130°C
 Copper foil: 0.025t*10.0mm
 Tube: TFL tube 200°C
 Operating Temperature: -30 to 115°C

4. Electrical Specification

Inductance: $L(4-5) = 550 \mu H \pm 10\%$ 10KHZ 1V
 Hi-Pot: P-S AC 4.0KV 1mA 60S
 S-CORE AC 2.0KV 1mA 60S

REV.	DATE	 Convention Placement	DRW.	Drawing Title: TRANSFORMER Customer P/N:	Part No:
0	00/00		CHK.		FWPTEF25V551K
RoHS		www.fosopower.com	APP.		Specification Sheet 1 of 1